

HPT38

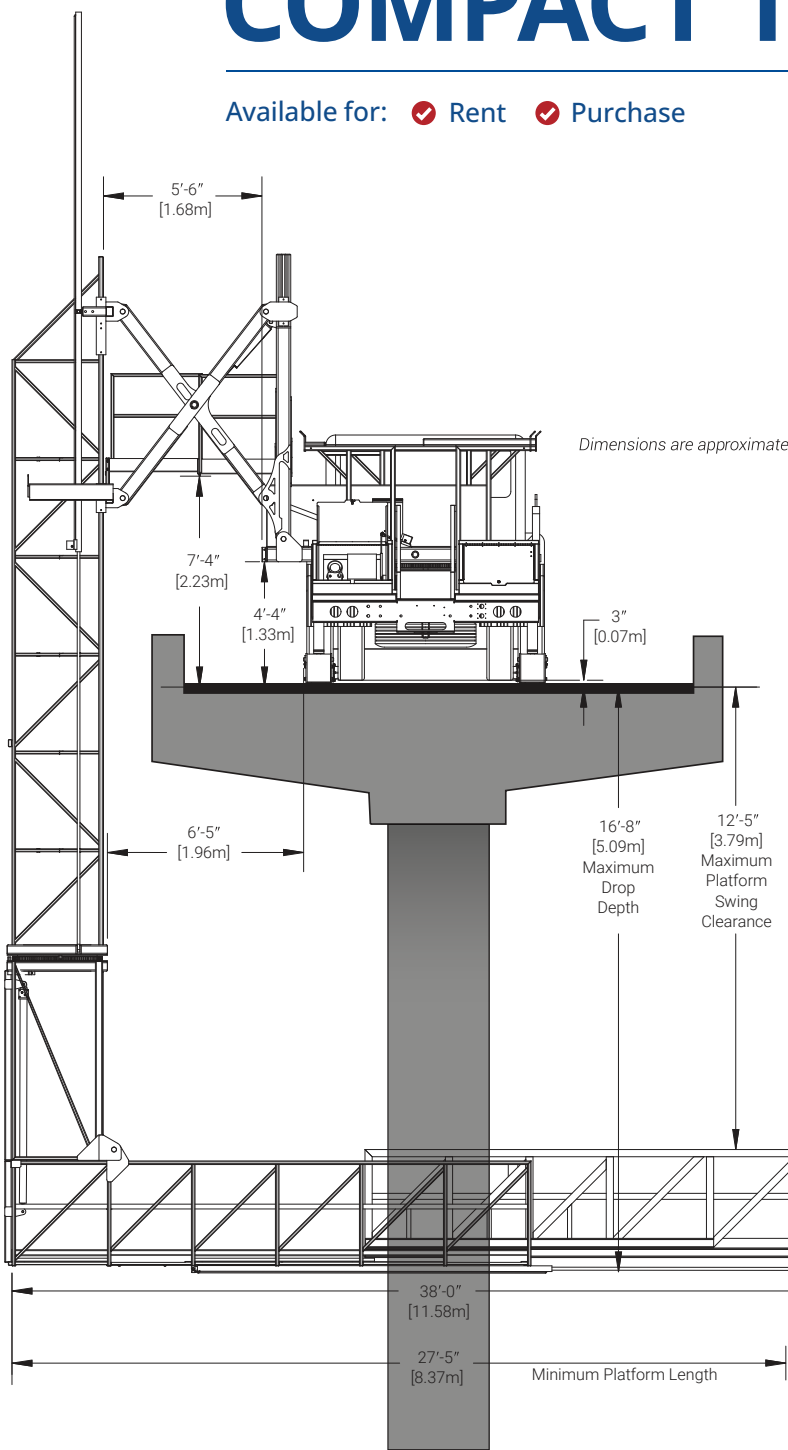
38 FEET OF EXTENDED REACH

The HPT38 has an extended platform length of 38ft. and provides more than 1,400 sq. ft. of under-bridge area from fixed point on the bridge deck.



COMPACT TRUCK MODEL

Available for: Rent Purchase



FEATURES

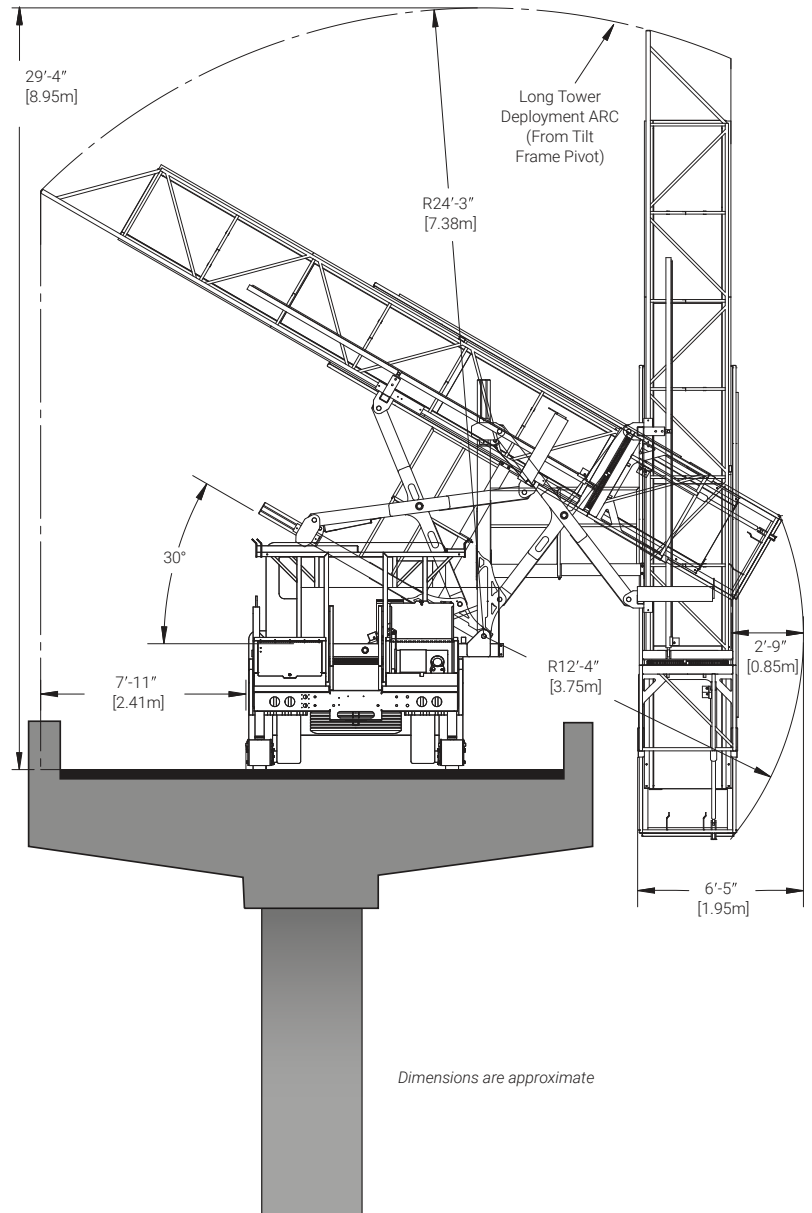
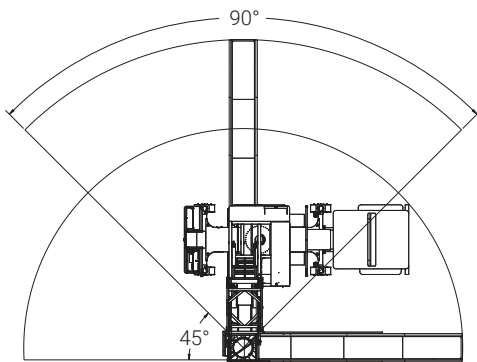
- Single-lane 5-minute deployment
- Self-propelled hydraulic drive
- Access crossover to tower remains horizontal at all times
- ± 5° Tower adjustment for super elevation
- Operator-activated communication system at truck cab and the main control panel; voice-activated communication system at the platform
- 19HP gas engine with auto idle to power the main hydraulic system
- CANbus control system with 7" main panel display
- Level-sensing and load-sensing with visual and audible alarms
- Multiple control locations
- Wireless remote with proportional paddles
- Fall arrest anchor points
- Air brake equipped

HPT38

OUR TOWER SEPARATION SYSTEM

Enables operators to erect and extend the tower and platform over sidewalks and other barriers without restricting under-bridge operations.

180° DEGREE PLATFORM ROTATION



SPECS

■ Platform Length	38ft / 11.58m	■ Transport Width	8.5ft / 2.59m
■ InsideSteel Platform Width	37in / 2.59m	■ Transport Height	12ft 7in / 3.84m
■ Lowering Depth	16ft / 4.8m	■ Weight, Gross Vehicle	30,000 lbs/ 13.608 kg
■ Platform Capacity	1000 lbs/ 454 kg	■ Operating Wind Speed	28mph /12.5 m/s
■ Capacity at End of Platform	500 lbs / 227 kg	■ Superelevation Slope	5°
■ Number of Occupants	5	■ Grade Slope	4.5°
■ Operating Hydraulic Pressure	1,000 psi / 191 bar		